

for profi
use

LOG BUNDLER LANCMAN™

* S - STANDARD
* O - OPTION

* O

19 mm

* O

25 mm

* O

19 mm

* O

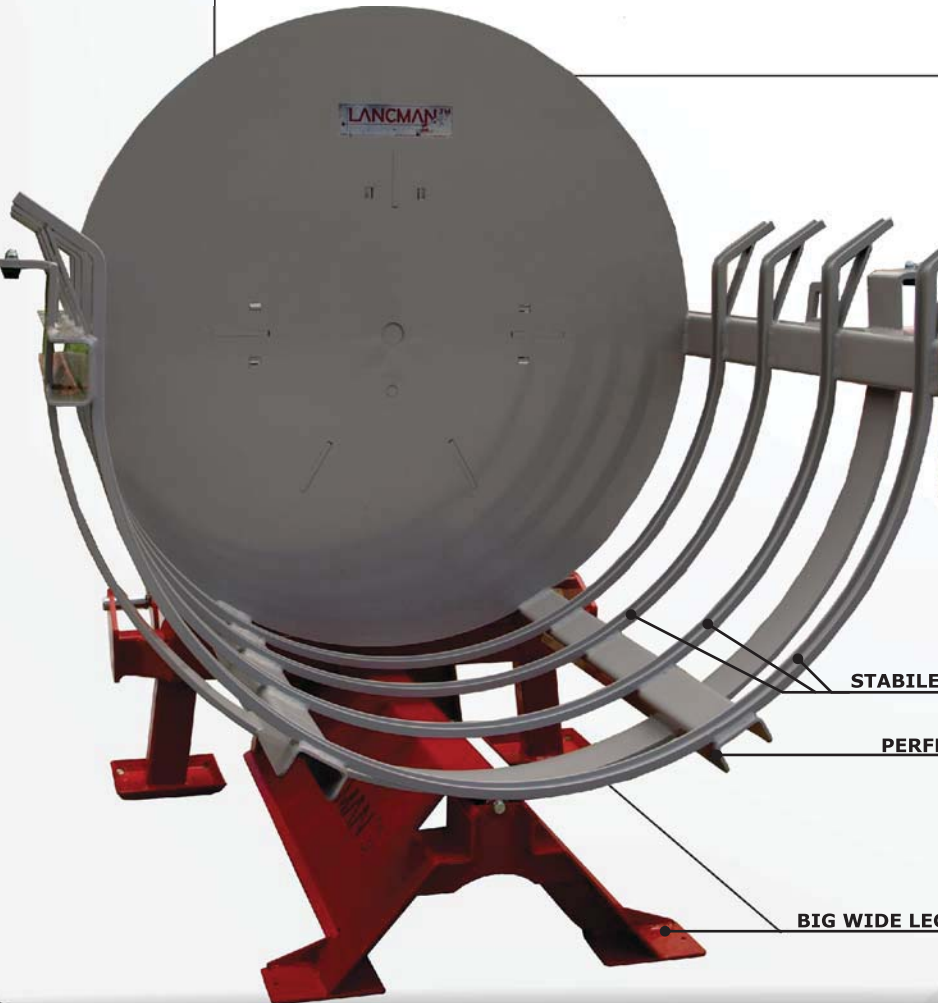
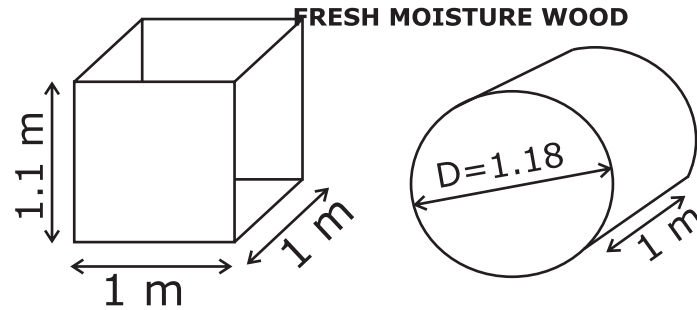
25 mm

* O

LOG BUNDLER LANCMAN 2001/3001

Suitable for packing logs in the bundles. Designed for packing of 1,1 m³ fresh wood, which should loose after 1 year drying the size and become 1 m³.

Bundel dimensions: diameter 1,20 m, length 1m.



STABLE AND ROBUST DESIGN

PERFECT WORKING HEIGHT

BIG WIDE LEGS FOR SELF-STABILTY



HVF MODEL - ATTACHEMENT DESIGNED FOR
FRONT LOADER with European Combi-mounting



LANCMAN™

MECHANICAL TENSIONER INCLUDED

LANCMAN 2001 PLUS

- Weight: **225 kg**,
- Manual tilting

LANCMAN 2001 H PLUS -hydraulic tilting

- Weight: **241 kg**,
- hydraulic tilting

LANCMAN 2001 HVF PLUS - hydraulic tilting

- Weight: **252 kg**,
- **Front loader attachment**

DATA/BASIC EQUIPMENT

- Inside dimension: **120x100 cm**,
- HxWxL: **1.400x1.200x1.200 mm**

MECHANICAL AXIAL TENSIONER INCLUDED

LANCMAN 2001 PLUS

- Weight: **225 kg**,
- Manual tilting

LANCMAN 2001 H PLUS -hydraulic tilting

- Weight: **241 kg**,
- hydraulic tilting

LANCMAN 2001 HVF PLUS - hydraulic tilting

- Weight: **252 kg**,
- **Front loader attachment**

DATA/BASIC EQUIPMENT

- Inside dimension: **120x100 cm**,
- HxWxL: **1.400x1.200x1.200 mm**

HYDRAULIC TENSIONER INCLUDED

hydraulic tensioning with the force up to 2000 kg

LANCMAN 3001 STH

- Weight: **255 kg**,
- Manual tilting

LANCMAN 3001 H STH -hydraulic tilting

- Weight: **285 kg**,
- hydraulic tilting

LANCMAN 3001 HVF STH - hydraulic tilting

- Weight: **295 kg**,
- **Front loader attachment**

DATA/BASIC EQUIPMENT

- Inside dimension: **120x100 cm**,
- HxWxL: **1.400x1.200x1.200 mm**



**3 -POINT LINKAGE
CAT. I AND II**

ADVANTAGES

DESIGNED FOR LOG LENGTH 33, 50 OR 100 CM.
IDEAL WORKING HEIGHT, STRONG AND COMPACT,
DESIGNED, 4 COMPACT STABLE FEET'S,
CAN BE USED ALSO WITHOUT TO BE HITCHED ON THE
TRACTOR

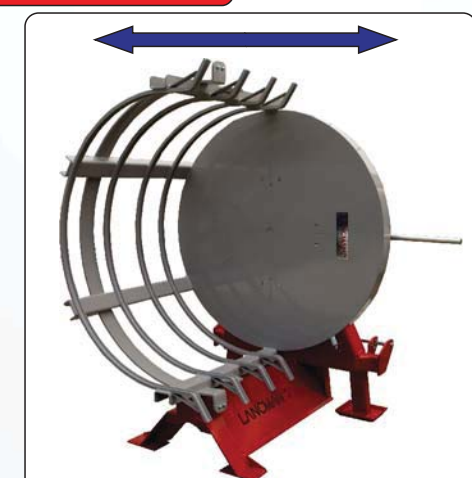
ACCESSORIES:

- STRAP POLIESTER CC 65 19 mm(500m/roll),
- STRAP POLIESTER CC 65 25 mm(500m/roll),
- CLIPS CB 6-19 mm (500 pcs/box),
- CLIPS CB 6-25 mm (500 pcs/box)

* S - STANDARD
* O -OPTION



**STRAP
+
KLIPS**



**LEFT AND RIGHT
WREAKING**



**STAND AND
TENSIONER**



**2001 PLUS
MECHANICAL TENSIONER
INCLUDED**



**2001 STH
HYDRAULIC TENSIONER
INCLUDED**